

Small in size and light in weight, the ER-520S megaphone can be easily carried by a single hand. It can also provide a siren tone. The newly developed polyimide diaphragm is employed to ensure high sound quality.

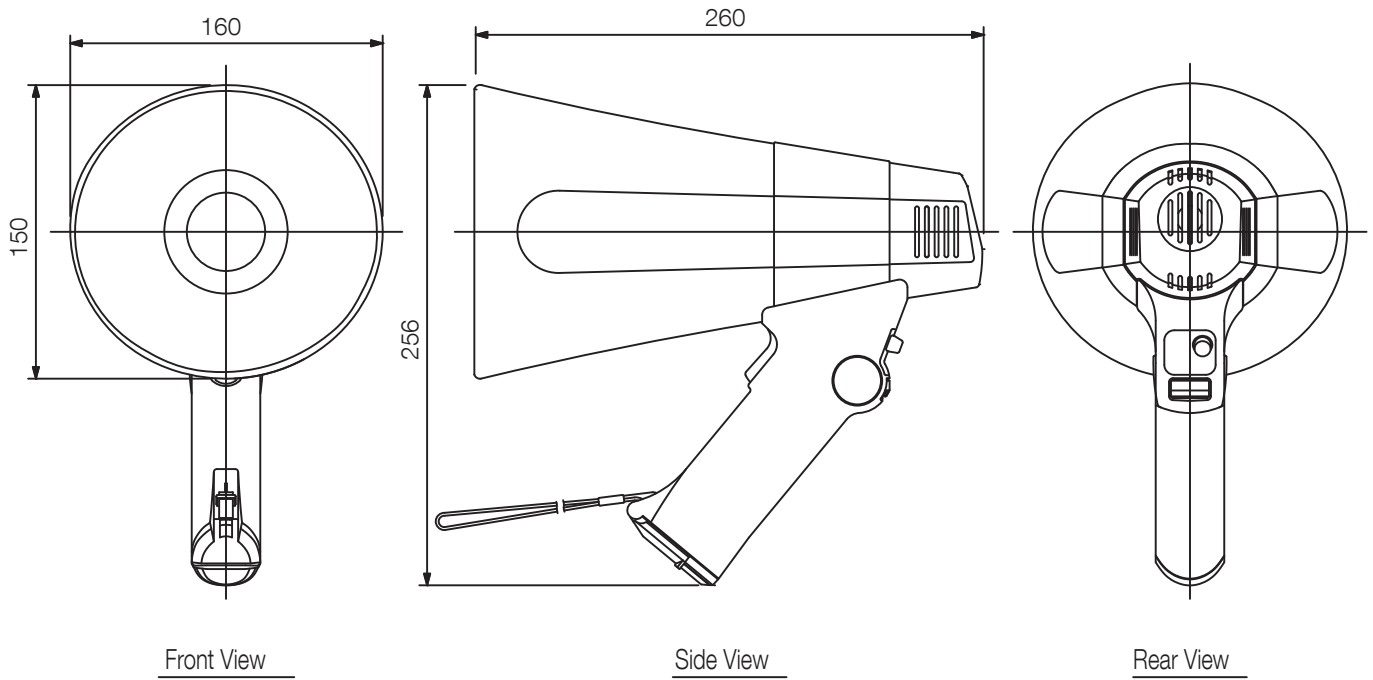


Article number: ER-520S EU
Alternative products: ER-520, ER-520W

Specifications

Power source	8 x 1,5 V (AA/R6P)
Rated output	6 W (10 W max.)
Power source	8 x 1,5 V (AA/R6P)
Rated output	6 W (10 W max.)
Battery life	10 h
Battery life on signal	40 min
Signals	Siren
Audible range	Voice 250 m, Signal 315 m
Finish	ABS resin, red,
Operating temperature	-10 °C to +40 °C

Appearance



<Note on the audible range and battery life>

1. The indications of the audible range and battery life are based on the JEITA Standard*.
2. Audible Range presumes that the megaphone employs new batteries and is used on a quiet street.
It varies depending on such conditions as battery consumption, ambient noise, wind direction and obstacles.
3. Battery Life assumes that megaphone is used for 30 minutes a day.

UNIT:mm

SCALE:1/4